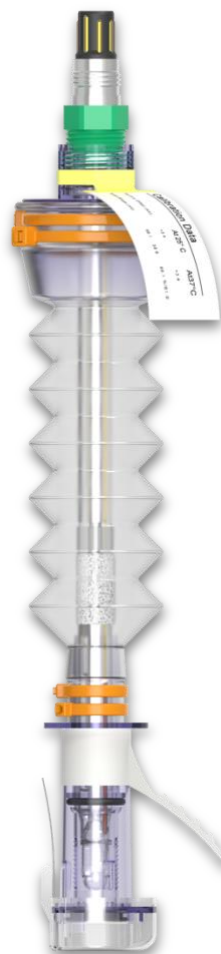


Description

The Model SG310 is a gamma irradiated single-use pH sensor and bellows insertion assembly equipped with a Kleenpak® connector for aseptic attachment to a bioprocess container (BPC). The entire SG310 assembly is assembled and double bagged in an ISO 7 cleanroom and then gamma irradiated. This enables users to quickly connect the pH sensor assembly to the BPC and aseptically insert the sensor into the media. This saves operator time and reduces risk.

The pH sensor is a Broadley-James model SU200 SingleSense® pH sensor that can be specified with optional RTD and any of three different types of sensor connector. The bellows insertion assembly comes with a Kleenpak® connector (Pall Part Nbr ACD02F6).

CALIBRATED, IRRADIATED, READY-TO-USE



Model SG310 Single-Use pH Sensor Assembly with Kleenpak® connector.

Part Number Tables

Model SG310 with Kleenpak® Connector, no RTD		
Part Number	RTD	Sensor Connector
SG310-NA-V6	None	V6
SG310-NA-S8	None	S8
SG310-NA-K9	None	K9

Model SG310 with Kleenpak® Connector, with RTD		
Part Number	RTD	Sensor Connector
SG310-1K-V6	Pt1000	V6
SG310-01-V6	Pt100	V6

Model Number	SG310
Part Number	See part number tables on the right for options and their full part numbers

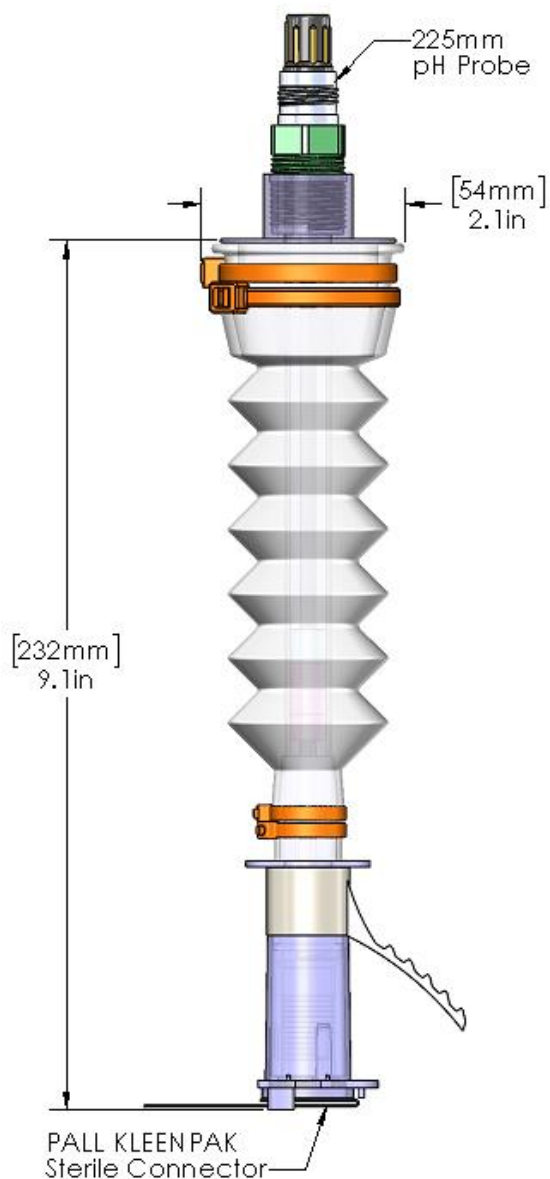
Sensor Specifications

Measurement Range	2–11 pH
Operational Temp. Range	1°–40°C [34°–104°F]
Storage Temperature	5°–50°C [41°–122°F]
Shelf Life	12 months
Gamma Irradiated	25-40 kGy
BPC Interface	Kleenpak® connector (Pall Part Nbr ACD02F6)
Sensor Connectors	V6, S8, or K9 connector options available
Sensor RTD	Available with Pt100 or Pt1000

Wetted Materials

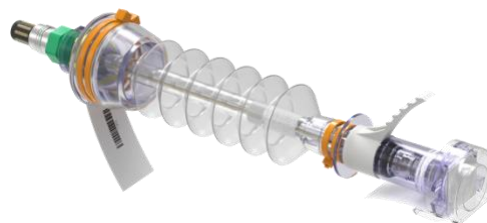
pH Glass Electrode	Lead-free Glass
Ceramic Junction	Alumina Silicate
Insertion Assembly	Dimethyl Silicone Rubber Pt Cure, USP Class VI, ADI Free
O-ring seal, sensor to assembly	Dimethyl Silicone Rubber Pt Cure, USP Class VI, ADI Free
Kleenpak® connector	Polysulfone, Dimethyl Silicone Rubber Pt Cure, USP Class VI, ADI Free (Pall Part Nbr ACD02F6)

Dimensional Drawing of SG310

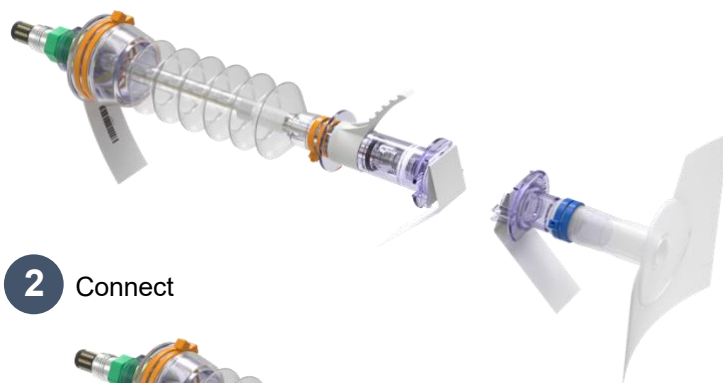


Saves Time, Reduces Risk

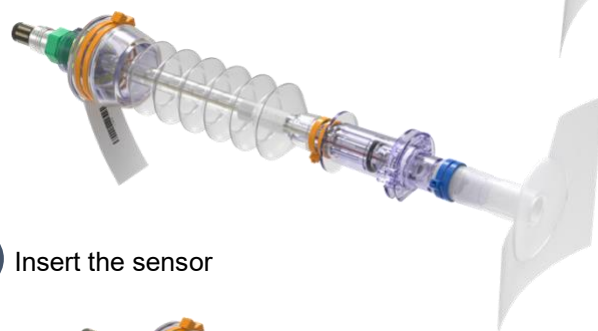
Gamma irradiated and ready to use right out of the box



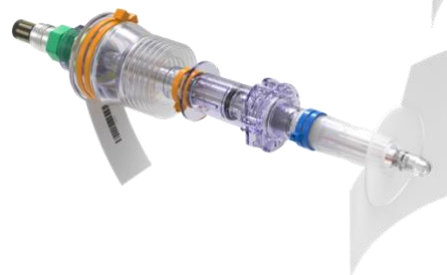
1 Prep Connectors



2 Connect



3 Insert the sensor



The contents of this publication are presented for information purposes only, and while every effort has been made to ensure their accuracy, they are not to be construed as warranties or guarantees, express or implied, regarding products or services described herein or in their use or applicability. All sales are governed by our terms and conditions, which are available on request. We reserve the right to modify or improve the design or specification of such products at any time.

Doc Nbr: PSS-052401 R2

Published 12 Feb 2026

© Feb 2026 Broadley-James Corporation. All rights reserved. Visit www.broadleyjames.com/IP for trademark and patent information.

TMP-PSS-102101 R1