

## Description

The Model SG310 is a gamma irradiated single-use pH sensor and bellows insertion assembly equipped with a Kleenpak® connector. The SG310 is assembled and double bagged in an ISO 7 cleanroom and then gamma irradiated.

The pH sensor is a Broadley-James SU200 SingleSense® pH sensor that can be specified with optional RTD and any of three different types of sensor connector. See part number table below for choice of pH sensor connector and optional sensor RTD.

### Purchase Information

Model Number	SG310
Part Number	See part number tables on the right for options and their full part numbers
Description	Gamma irradiated Single-Use pH sensor with insertion assembly and Kleenpak® connector

### Classification

Model Type	SG310 Series
Product Type	Irradiated Single-use pH sensor with Insertion Assembly

## Specifications

### Measurement

Type	pH
Principle	Potentiometric
Range	2–11 pH
Drift	< 0.05 pH per week

### Operational Range

Temperature	1°–40°C [34°–104°F]
Pressure	0–15 psig

### Signal

Output	Analog: ±414 mV
RTD	Available Pt100 or Pt1000 See part number tables to the right

### Sterilization

Gamma Irradiated	25-40 kGy
------------------	-----------

### Sensor Connectors

See P/N tables for options	V6, S8, or K9
----------------------------	---------------

### Insertion Assembly Process Interface

Bellows Assembly	13.5pg connection to bellows per approved supplier
Aseptic Connector	Kleenpak®, Pall Part Nbr CD02F6



Model SG310 Single-Use pH Sensor Assembly with Kleenpak® connector.

### Part Number Tables

Model SG310 with Kleenpak® Connector, no RTD		
Part Number	RTD	Sensor Connector
SG310-NA-V6	None	V6
SG310-NA-S8	None	S8
SG310-NA-K9	None	K9

Model SG310 with Kleenpak® Connector, with RTD		
Part Number	RTD	Sensor Connector
SG310-1K-V6	Pt1000	V6
SG310-01-V6	Pt100	V6

## Packaging and Regulations

### Packaging Information

Package Type .....	Outer packaging cardboard
Package Dimensions .....	40.64 x 10.16 x 5.72 cm [16 in x 4 in x 2.25 in]
Package Weight .....	< 0.5 kg [1 lb]
Double Bagged .....	Yes
Cleanroom Bagged .....	Yes
Cleanroom Class .....	ISO Class 7
Storage Conditions .....	Temperature: 5°–50°C [41°–122°F] Humidity: 5–95% RH
Included Accessories .....	Not applicable
Quality Certificate .....	Included
Shelf Life Post Gamma Irradiated .....	12 months

### Origination and Tariff Code

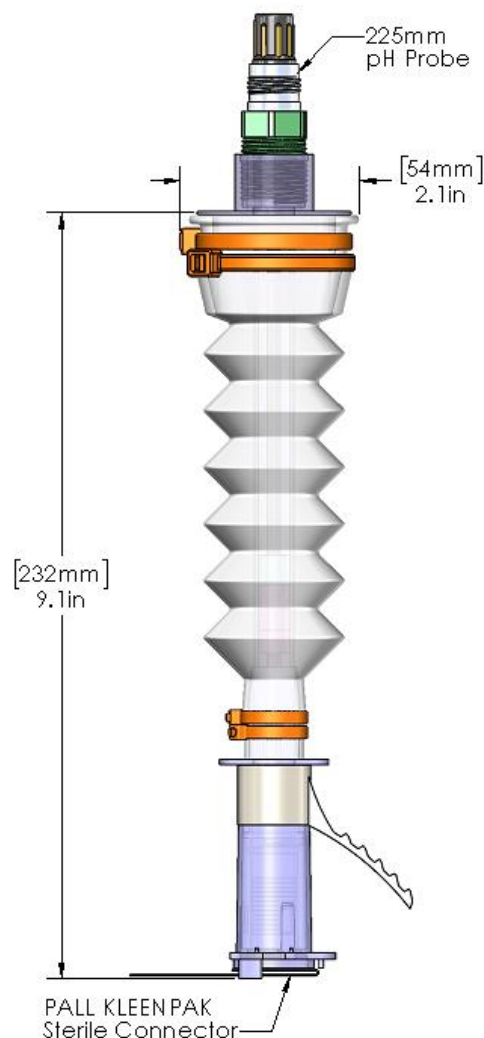
Harmonized Tariff Trade Code .....	9027803100
Country of Origin .....	USA
MFR Location .....	California, USA

### Purchasing Information

Unit of Sale .....	Each
Minimum Purchase Quantity .....	1 Unit

### Regulatory and Compliance

CE Compliant .....	Not applicable
RoHS Compliant .....	Yes
REACH Compliant .....	Not applicable
CFR 21-11 Compliant .....	Not applicable
BSE/TSE/ADI Compliant .....	Yes
USP Class VI Compliant .....	Yes, all wetted parts
FDA Material Compliant .....	Yes, all wetted parts



The contents of this publication are presented for information purposes only, and while every effort has been made to ensure their accuracy, they are not to be construed as warranties or guarantees, express or implied, regarding products or services described herein or in their use or applicability. All sales are governed by our terms and conditions, which are available on request. We reserve the right to modify or improve the design or specification of such products at any time.

Doc Nbr: PDS-022401 R2 Published 12 Feb 2026  
 © Feb 2026 Broadley-James Corporation. All rights reserved. Visit [www.broadleyjames.com/IP](http://www.broadleyjames.com/IP) for trademark and patent information.

TMP-PDS-112001 R2