

**Broadley
James**®

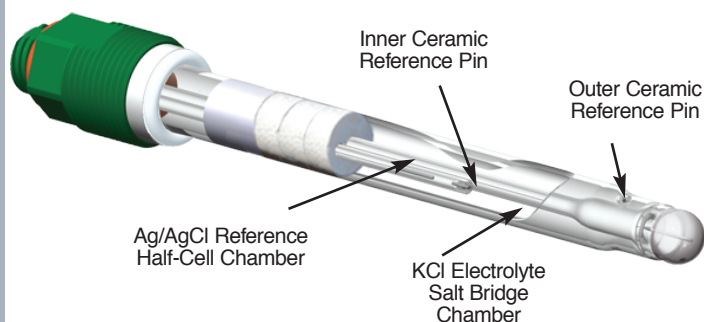
19 Thomas
Irvine CA, USA

phone: 949-829-5555
tollfree: 800-288-2833
fax: 949-829-5560

email: sales@broadleyjames.com
web: www.broadleyjames.com

Manufacturers of Sensors, Bioreactors and Process Control Automation

Cutaway View



Description:

The Model F835 pH FermProbe® is built to withstand repeated high temperature sterilization by pressurized steam. The Pg13.5 cap design provides for insertion and removal of the electrode from its housing.

Each FermProbe is steam sterilized for one hour at 135°C before final QA tests in order to insure the highest level of electrode reliability.

All FermProbes have two built-in electrolyte chambers that act to protect and isolate the sensitive inner AgCl reference half-cell. This "double junction", dual chamber design effectively prevents the most common failure modes of pH electrodes in biopharmaceutical applications.

Features:

- Double-Junction Silver/Silver Chloride reference element for the ultimate in stability and resistance to contamination.
- Specifically designed for multiple SIP, CIP, or Autoclave cycles. Withstands exposure to harsh CIP solutions.
- Metric threaded cap is compatible with a wide range of bioprocess electrode housings.
- Rugged, low-impedance pH bulb provides fast and precise pH measurements even after prolonged steam exposure.

F-835-B***-DH

FermProbe® pH Electrode

- Accurate and Precise Measurements
- Superior Stability Post-Sterilization
- Improved Noise Rejection
- FDA, USP Compliant

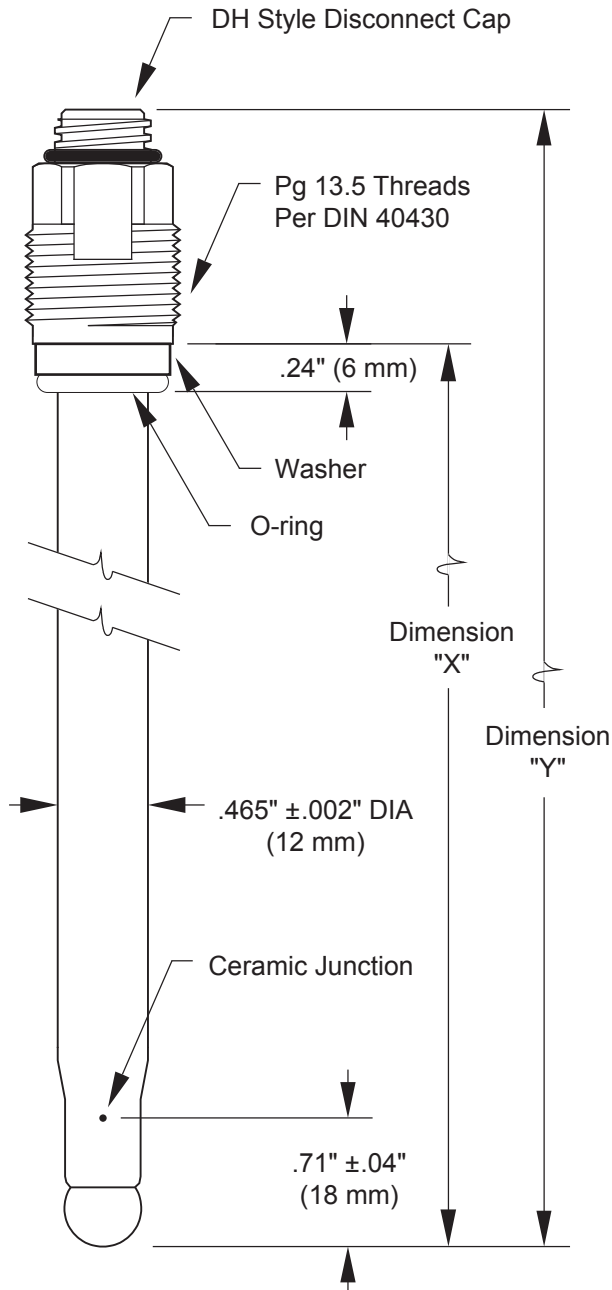
Specifications:

pH Range:	0-14 pH
Temperature Range:	-5-135°C (steam sterilizable)*
Pressure:	150 psig maximum*
Reference:	Double junction, Ag/AgCl
Internal Electrolyte Gel:	Potassium Chloride 1.0 M, Glycerine thickening agent, USP Grade
Cap:	S8 Metric Pg13.5
Connector:	DH Style Disconnect
Wetted Materials:	Glass outer body, glass bulb, porous ceramic liquid junction, and internal electrolyte gel
Mounting:	Metric threaded cap fits into a wide range of bioprocess electrode housings
Bulb Glass:	Special Low-Drift Formula

* Pressure and temperature ratings with FermProbe® installed in a Broadley-James housing

FermProbe is a registered trademark of
Broadley-James Corporation

Manufacturers of Sensors, Bioreactors and Process Control Automation



DIMENSION TABLE		
PART NO.	DIM "X" ("B" LENGTH) ±.06" (1.5 mm)	DIM "Y" ± .08" (2 mm)
F-835-B120-DH	4.72" (120 mm)	5.94" (151 mm)
F-835-B200-DH	7.87" (200 mm)	9.09" (231 mm)
F-835-B225-DH	8.86" (225 mm)	10.08" (256 mm)
F-835-B325-DH	12.80" (325 mm)	14.02" (356 mm)
F-835-B420-DH	16.54" (420 mm)	17.76" (451 mm)