

NEW!!

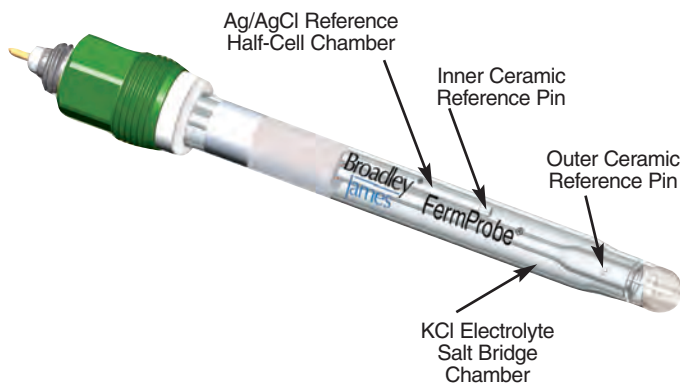


Broadley-James Ltd
Wrest Park, Silsoe,
Beds MK45 4HS UK

phone: +44 (0) 1525 862518
fax: +44 (0) 1525 862811

email: sales@broadleyjames.co.uk
web: www.broadleyjames.co.uk

Manufacturers of Sensors, Bioreactors and Process Control Automation



F-895-B***-DK

FermProbe® pH Electrode

- Accurate & Precise Measurements
- Superior Stability Post-Sterilization
- Improved Noise Rejection
- FDA, USP Compliant

Description:

The Model F895 pH FermProbe® is built to withstand repeated high temperature sterilization by pressurized steam. The Pg13.5 cap design provides for insertion and removal of the electrode from its housing.

Each FermProbe is steam sterilized for one hour at 135°C before final QA tests in order to insure the highest level of electrode reliability.

All FermProbes have two built-in electrolyte chambers that act to protect and isolate the sensitive inner AgCl reference half-cell. This "double junction", dual chamber design effectively prevents the most common failure modes of pH electrodes in biopharmaceutical applications.

Features:

- Double-Junction Silver/Silver Chloride reference element for the ultimate in stability and resistance to contamination.
- Specifically designed for multiple SIP, CIP, or Autoclave cycles. Withstands exposure to harsh CIP solutions.
- Metric threaded cap is compatible with a wide range of bioprocess electrode housings.
- Rugged, low-impedance pH bulb provides fast and precise pH measurements even after prolonged steam exposure.

Specifications:

| | |
|---------------------------|--|
| pH Range: | 0-14 pH |
| Temperature Range: | -5-135°C (steam sterilizable) * |
| Pressure: | 150 psig maximum * |
| Reference: | Double junction, Ag/AgCl |
| Internal Electrolyte Gel: | Potassium Chloride 1.0 M, Glycerine thickening agent, USP Grade |
| Cap: | K9 Metric Pg13.5 |
| Connector: | DK Style Disconnect |
| Wetted Materials: | Glass outer body, glass bulb, porous ceramic liquid junction, and internal electrolyte gel |
| Mounting: | Metric threaded cap fits into a wide range of bioprocess electrode housings |
| Bulb Glass: | Special Low-Drift Formula |

* Pressure and temperature ratings with FermProbe® installed in a Broadley-James housing



Broadley-James Ltd
Wrest Park, Silsoe,
Beds MK45 4HS UK

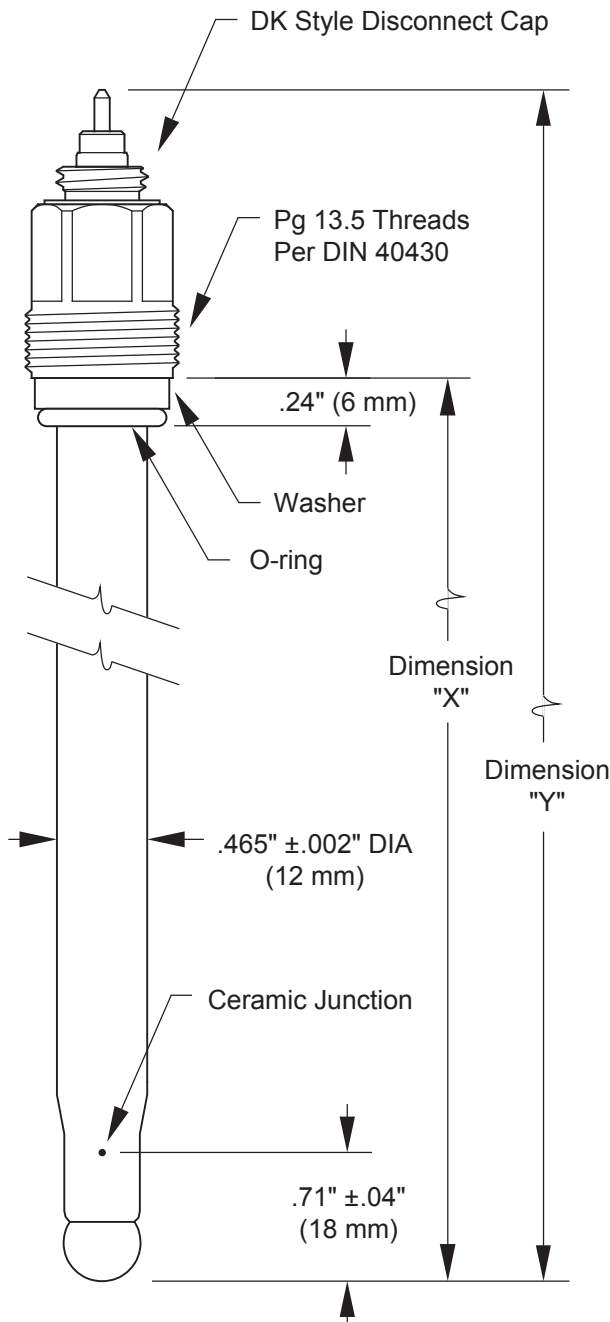
phone: +44 (0) 1525 862518
fax: +44 (0) 1525 862811

email: sales@broadleyjames.co.uk
web: www.broadleyjames.co.uk

Model F895 pH FermProbe®

Dimensional Tolerances Table

Manufacturers of Sensors, Bioreactors and Process Control Automation



| DIMENSION TABLE | | |
|-----------------|---|--------------------------|
| PART NO. | DIM "X" ("B" LENGTH) ±.06" (1.5 mm) | DIM "Y" ± .08" (2 mm) |
| F-895-B120-DK | 4.72" (120 mm) | 5.94" (151 mm) |
| F-895-B200-DK | 7.87" (200 mm) | 9.09" (231 mm) |
| F-895-B225-DK | 8.86" (225 mm) | 10.08" (256 mm) |
| F-895-B325-DK | 12.80" (325 mm) | 14.02" (356 mm) |
| F-895-B420-DK | 16.54" (420 mm) | 17.76" (451 mm) |