

## Description

The pCO<sub>2</sub> SmartSync<sup>®</sup> is a single channel sensor-mount transmitter for connecting smart Hybrid<sup>®</sup> pCO<sub>2</sub> sensors to digital bioprocess controllers via Modbus RTU.

The transmitter can be configured by means of a wireless Bluetooth<sup>®</sup> interface with the iQuickView<sup>®</sup> app. The operator can communicate with the SmartSync<sup>®</sup> wirelessly to perform a wide range of standard transmitter functions such as 1- and 2-point calibrations, reviewing sensor metadata and calibration history, and setting the Modbus address and communication parameters.

The SmartSync<sup>®</sup> provides plug-and-play functionality with all Hybrid<sup>®</sup> pCO<sub>2</sub> sensors and features an LED light bar that indicates sensor status, alarms, and warnings to ensure your sensor is working properly.

Model	T100
Part Number	T100-4

## Specifications

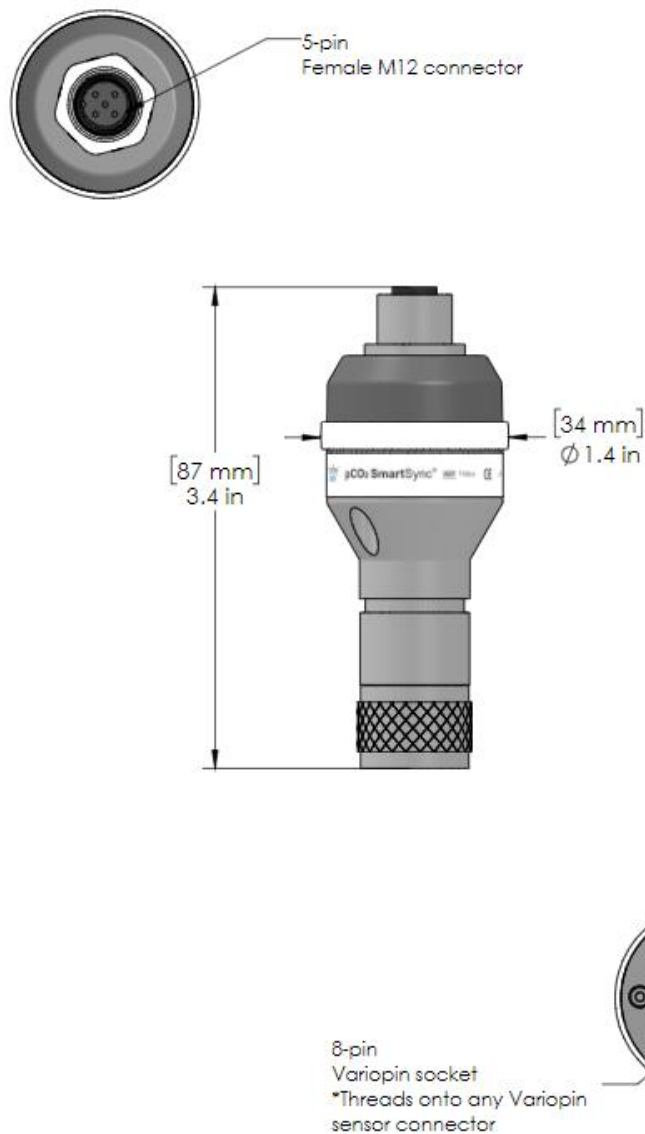
Output	Modbus RTU
Channels	1
mV Input	±500 mV
Type	All Hybrid <sup>®</sup> single-use pCO <sub>2</sub> sensors
User Interface	iQuickView <sup>®</sup> application via Bluetooth <sup>®</sup> wireless connection with phone or tablet
Size	Sensor mount or use as in-line module
Power Supply	6–24 VDC
Power Consumption	500 mW (21 mA) max at 24 V
Range	<ul style="list-style-type: none"> <li>• Modbus Output: Up to 1200 m (4000 ft) depending on topography</li> <li>• Wireless User Interface: 9 m (30 ft)</li> </ul>
Operational Temp.	0°–55° C [32°–131° F]
Input Connector	VP8 Variopin, 8-pin Threaded Plug, threads onto any variopin sensor connector
Output Connector	M12-5
Ratings	CE, IP67



T100-4 pCO<sub>2</sub> SmartSync<sup>®</sup>



## Dimensional Drawings of T100-4



The contents of this publication are presented for information purposes only, and while every effort has been made to ensure their accuracy, they are not to be construed as warranties or guarantees, express or implied, regarding products or services described herein or in their use or applicability. All sales are governed by our terms and conditions, which are available on request. We reserve the right to modify or improve the design or specification of such products at any time.

Doc Nbr: PSS-092102 R3

Published 28 Feb 2022

© February 2022 Broadley-James Corporation. All rights reserved. Visit [www.broadley-james.com/trademarks](http://www.broadley-james.com/trademarks) for trademark information.

TMP-PSS-102101 R1