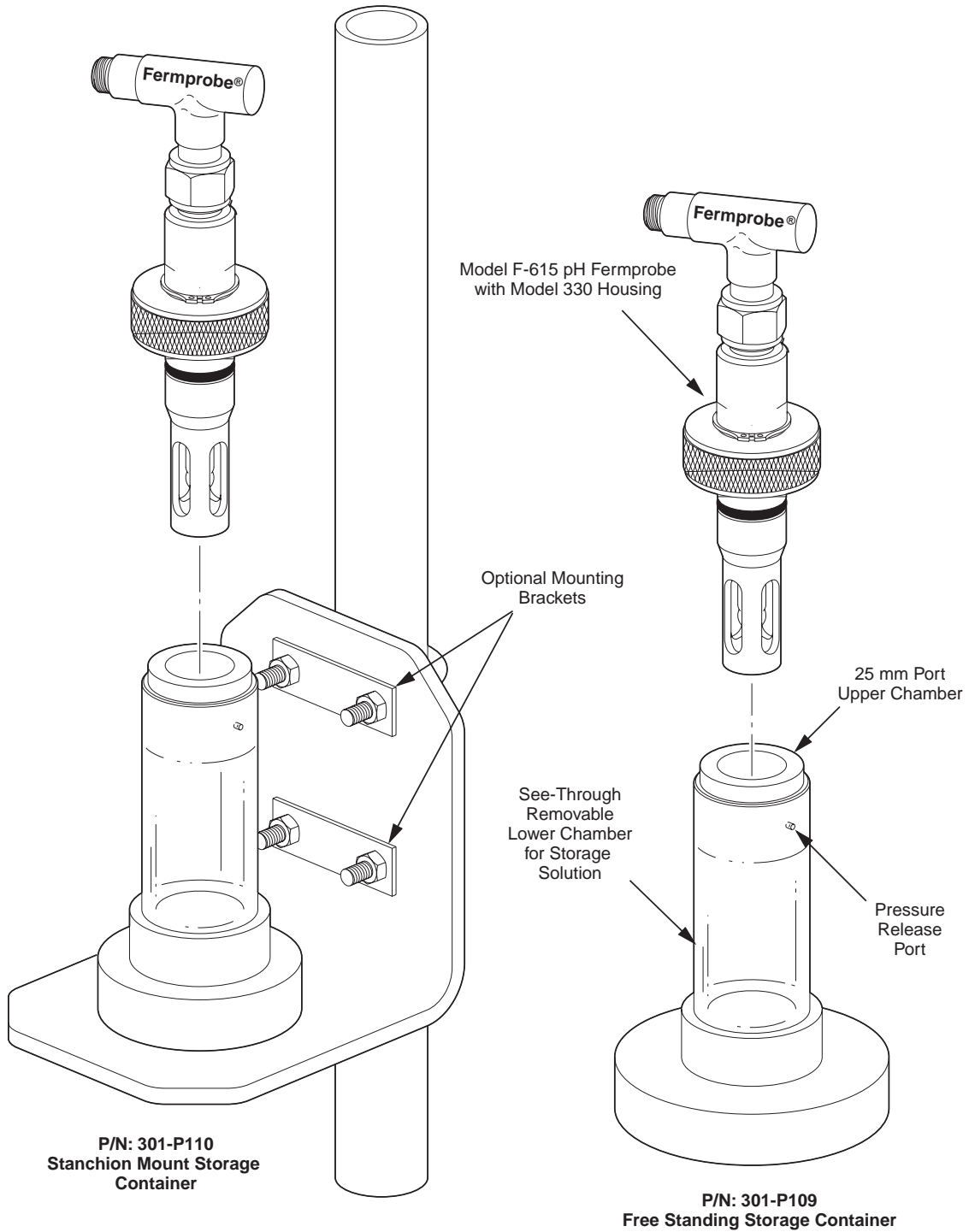


Model 301 Series FermProbe®/OxyProbe® Storage Containers



Manufacturers of pH & D.O. Sensors for Science and Industry

19 Thomas, Irvine, California 92618 USA

Phone: 949.829.5555 Toll-Free: 800.288.2833

Fax: 949.829.5560 E-Mail: sales@broadleyjames.com

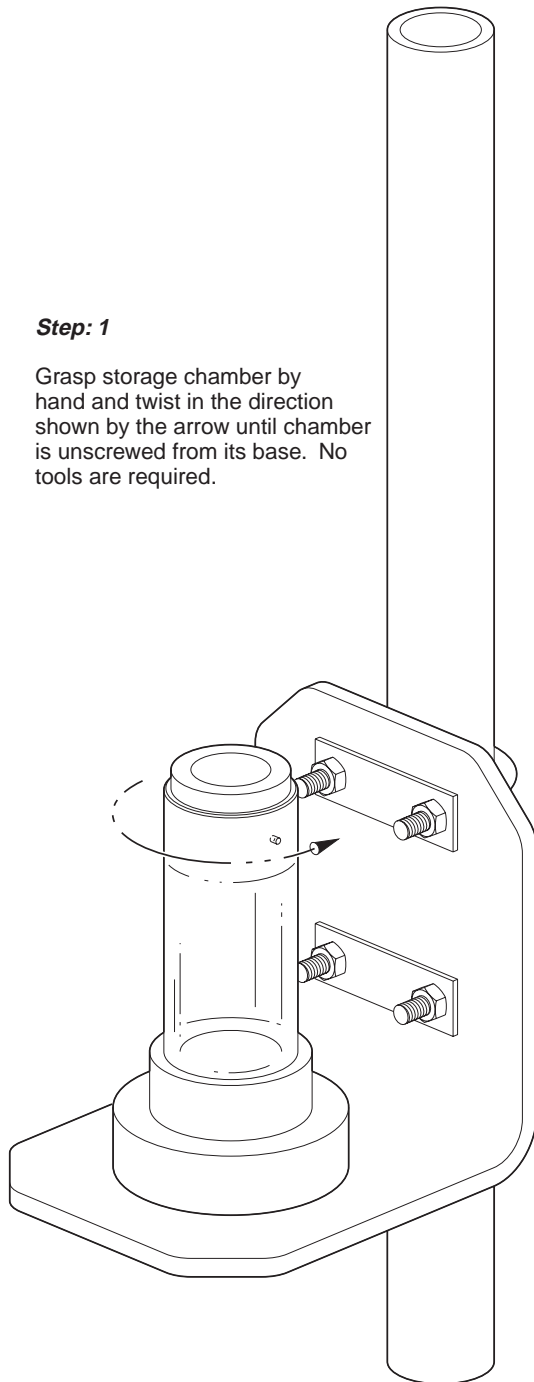
**BROADLEY
JAMES**
CORPORATION



Model 301 Series FermProbe®/OxyProbe® Storage Containers (Continued)

Step: 1

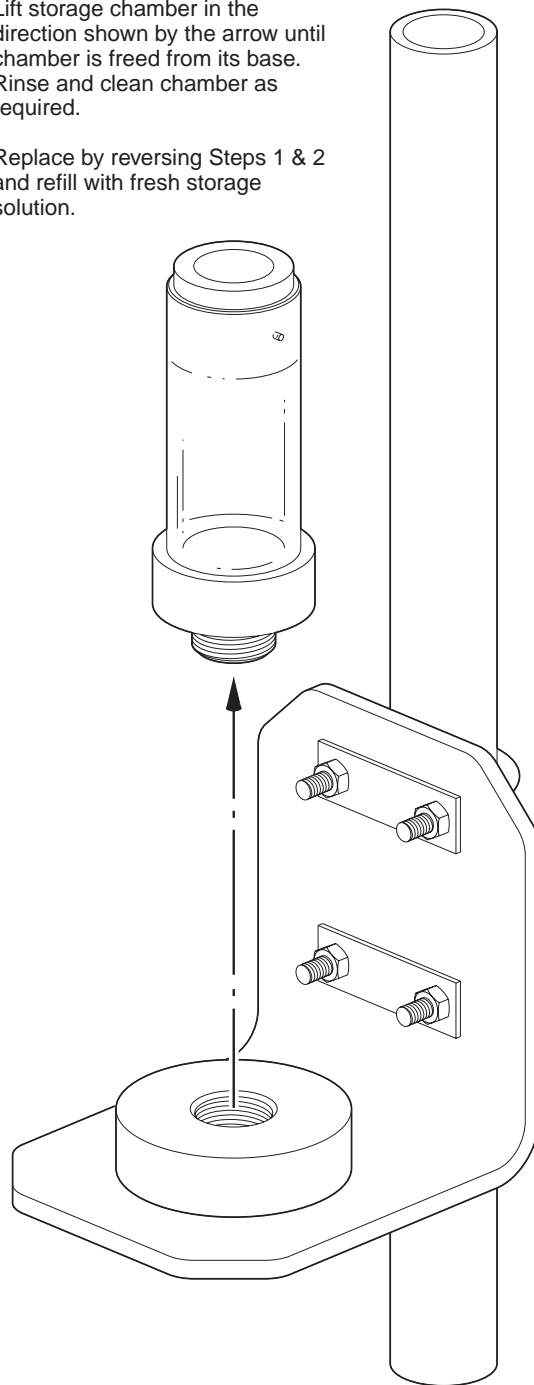
Grasp storage chamber by hand and twist in the direction shown by the arrow until chamber is unscrewed from its base. No tools are required.



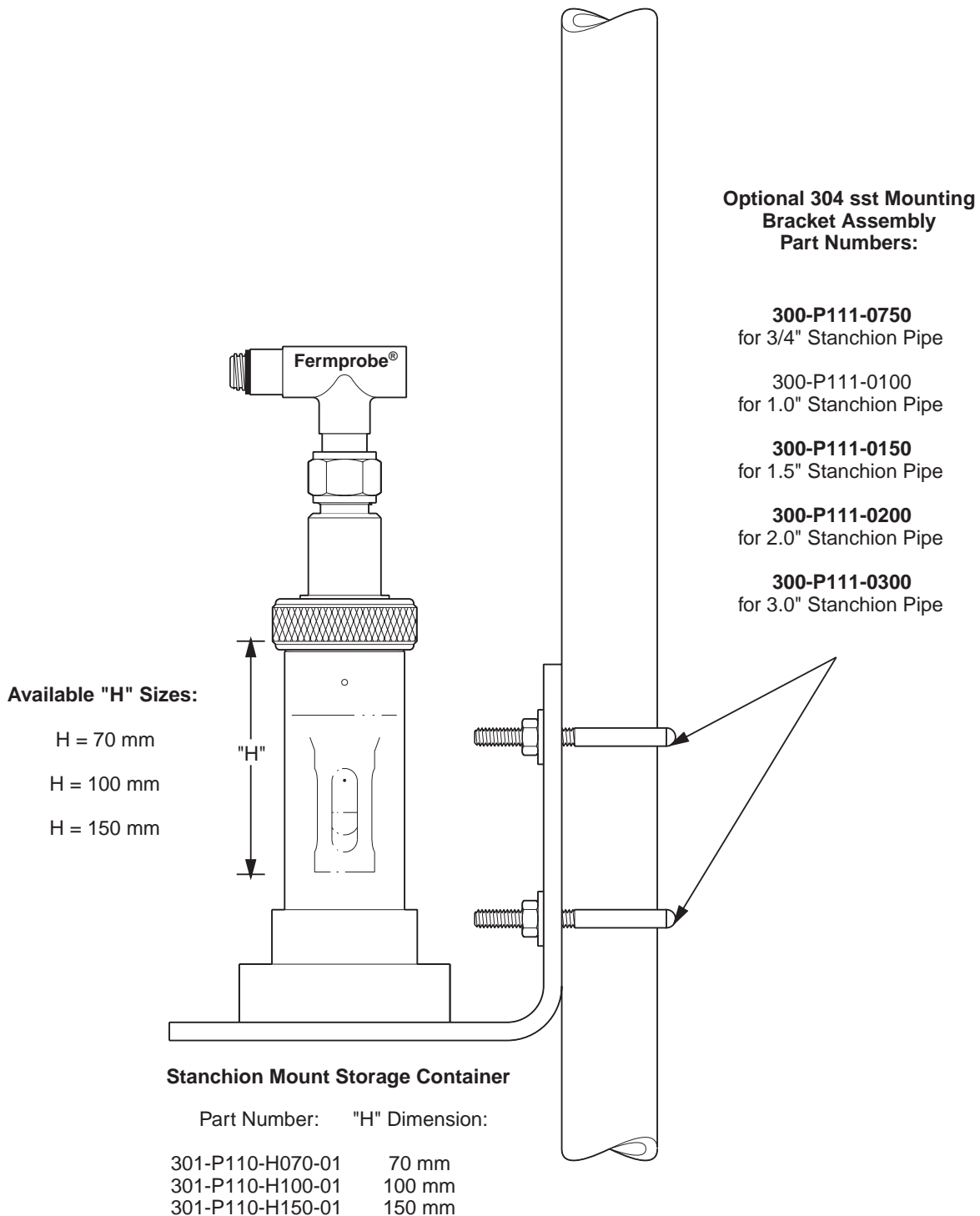
Step: 2

Lift storage chamber in the direction shown by the arrow until chamber is freed from its base. Rinse and clean chamber as required.

Replace by reversing Steps 1 & 2 and refill with fresh storage solution.



Model 301 Series FermProbe®/OxyProbe® Storage Containers (Continued)



Manufacturers of pH & D.O. Sensors for Science and Industry

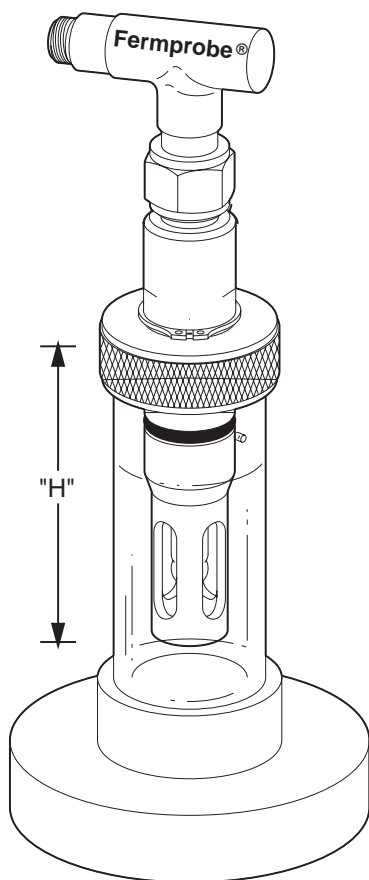
19 Thomas, Irvine, California 92618 USA

Phone: 949.829.5555 Toll-Free: 800.288.2833

Fax: 949.829.5560 E-Mail: sales@broadleyjames.com



Model 301 Series FermProbe®/OxyProbe® Storage Containers (Continued)



Available "H" Sizes:

H = 70 mm

H = 100 mm

H = 150 mm

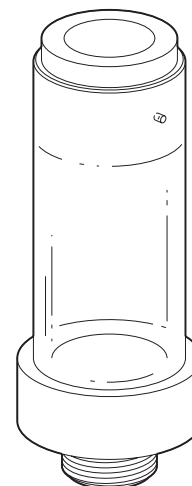
Free Standing Storage Container

Part Number: "H" Dimension:

301-P109-H070-01	70 mm
301-P109-H100-01	100 mm
301-P109-H150-01	150 mm

Step: 1

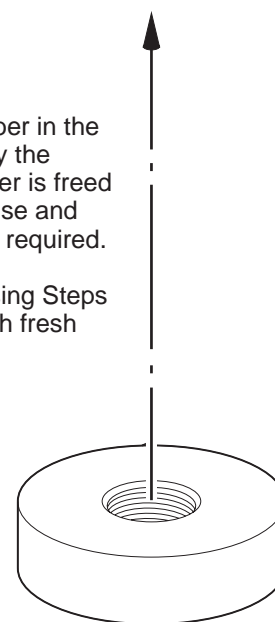
Grasp storage chamber by hand and twist in the direction shown by the arrow until chamber is unscrewed from its base. No tools are required.



Step: 2

Lift storage chamber in the direction shown by the arrow until chamber is freed from its base. Rinse and clean chamber as required.

Replace by reversing Steps 1 & 2 and refill with fresh storage solution.



Free Standing Storage Container with Removable Chamber



Manufacturers of pH & D.O. Sensors for Science and Industry

19 Thomas, Irvine, California 92618 USA

Phone: 949.829.5555 Toll-Free: 800.288.2833

Fax: 949.829.5560 E-Mail: sales@broadleyjames.com