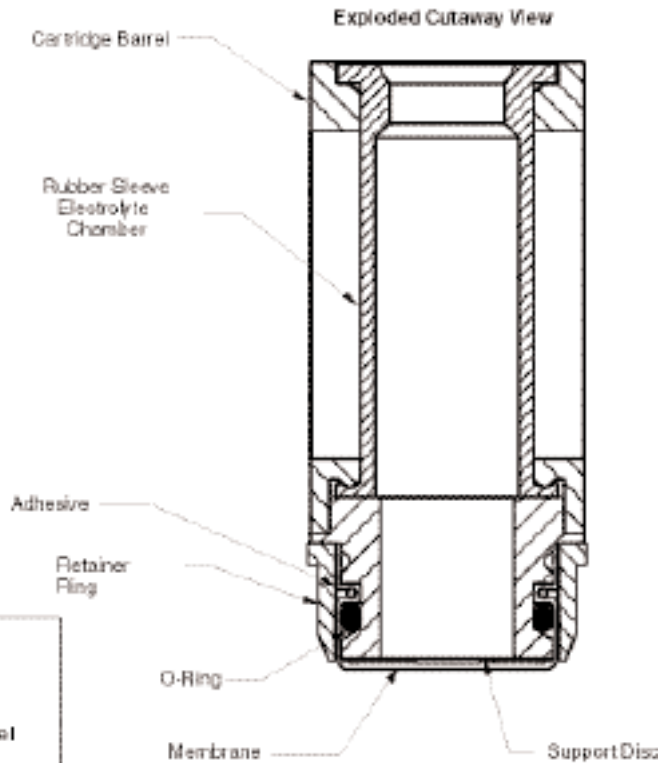


19 mm and 25 mm OxyProbe[®] Membrane Cartridge



Membrane Cartridge



Wetted Materials:

Retainer Ring	316L Stainless Steel
Adhesive	High Temperature RTV Silicone Rubber
Membrane	Silicone Rubber Outer Layer

Ordering Information

Part Number	Description
AM-8234	Single Membrane Cartridge
KA2501	Single Membrane Cartridge Kit with Gasket, O-rings, and Electrolyte
KA2504	4 Piece Membrane Cartridge Kit with Gaskets O-rings, and Electrolyte
KA2525	25 Piece Membrane Cartridge Pack (Cartridges Only)

Bill of Materials:

Cartridge Barrel	Ryton
Rubber Sleeve	Dimethyl Silicone (Platinum Cured)
Retainer Ring	316L Stainless Steel
O-Ring	Dimethyl Silicone
Support Disc	Delrin
Adhesive	High Temperature RTV Silicone Rubber
Membrane	Composite of Silicone, Teflon, and 316L Stainless Steel Mesh

Measurement and Control Products for Science and Industry
19 Thomas, Irvine, California 92618 USA

Phone: (949) 829-5555 Toll-Free: (800) 288-2833 Fax: (949) 829-5560

E-Mail: sales@broadleyjames.com Website: www.broadleyjames.com

